



SCREENED SEPARABLE CONNECTION SYSTEM

RSTI-58 FOR 630/1250 A UP TO 24 kV

KEY FEATURES

- The insulation made highly modified silicone rubber
- Thin-walled screen protects the connection system
- Easily accessible rear plug with capacitive test point
- Few accessories required for system test
- Complete kit including lugs facilitates installation and storage

TE Connectivity's (TE) Raychem screened separable connectors RSTI-58 are designed to connect single- and three-core polymeric cables to medium-voltage gas insulated switchgear and other equipment using bushings type "C" (EN50180/EN50181) specified for 630/1250 A up to 24 kV.

Made of a highly modified silicone rubber and protected by a thin-walled outer conductive screen connected to earth, Raychem connectors RSTI-58 are equally suited for indoor and outdoor installation. Supporting a wide application range, the design incorporates one body and stress cone adapters to cover all cross-sections from 25 to 300 mm². The overall cut-back dimensions are designed to take up minimum space in the terminal box.

TE's Raychem connectors RSTI-58 are equipped with a capacitive test point for determining whether the circuit is energised. This test point is protected by a conductive cap. After cable preparation and lubrication, the stress control adapter is simply slid into place, followed by the screened connector body. These two components can be installed under virtually any conditions. A separable mounting system ensures easy installation of the connector onto the bushing.

All kits include high-performance multi-range mechanical or DIN compression lugs matching the design of the connector RSTI-58.

Customers can count on consistent, high quality products, driven by TE's proven innovation and backed by our extraordinary customer support.

Screened Separable Connection System



The screened cable connector RSTI-58 meets CENELEC HD 629.1 S2 requirements, which includes BS, VDE and other international specifications

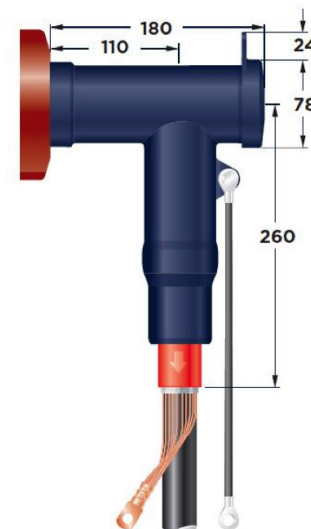
TECHNICAL DATA

Cable insulation diameter range	12.7 - 34.6 mm
Connector cross-section range	25 - 300 mm ²
Maximum system voltage	24 kV
Continuous current rating	800 A
Basic impulse level	150 kV
Partial discharge at 2 U ₀	< 2 pC
AC voltage withstand, 1 min	57 kV
DC voltage withstand, 15 min	76 kV
Thermal short circuit, 1 s	54 kA
Dynamic short circuit	125 kA

PRODUCT SELECTION INFORMATION

Description		Diameter Core Insulation (mm)		Cross Section (mm ²)
Aluminum	Copper	min	max	
with DIN compression lugs 12 kV				
RSTI-5810	RSTI-5830	12,7	23,4	25
RSTI-5811	RSTI-5831	12,7	23,4	35
RSTI-5812	RSTI-5832	12,7	23,4	50
RSTI-5813	RSTI-5833	12,7	23,4	70
RSTI-5814	RSTI-5834	12,7	23,4	95
RSTI-5815	RSTI-5835	12,7	23,4	120
RSTI-5826	RSTI-5846	21,2	34,6	150
RSTI-5827	RSTI-5847	21,2	34,6	185
RSTI-5828	RSTI-5848	21,2	34,6	240
RSTI-5829	RSTI-5849	21,2	34,6	300
with DIN compression lugs 24 kV				
RSTI-5810	RSTI-5830	12,7	23,4	25
RSTI-5811	RSTI-5831	12,7	23,4	35
RSTI-5812	RSTI-5832	12,7	23,4	50
RSTI-5813	RSTI-5833	12,7	23,4	70
RSTI-5824	RSTI-5844	21,2	34,6	95
RSTI-5825	RSTI-5845	21,2	34,6	120
RSTI-5826	RSTI-5846	21,2	34,6	150
RSTI-5827	RSTI-5847	21,2	34,6	185
RSTI-5828	RSTI-5848	21,2	34,6	240
RSTI-5829	RSTI-5849	21,2	34,6	300
with mechanical lugs and shearbolts 12 kV				
RSTI-5851 (Al or Cu)		12,7	23,4	35 - 95
RSTI-5852 (Al or Cu)		12,7	23,4	95 - 120
RSTI-5853 (Al or Cu)		17,0	30,1	95 - 240
RSTI-5854 (Al or Cu)		21,2	34,6	150 - 240
RSTI-5855 (Al or Cu)		21,2	34,6	185 - 300
RSTI-5856 (Al or Cu)		21,2	34,6	240 - 400
with mechanical lugs and shearbolts 24 kV				
RSTI-5851 (Al or Cu)		12,7	23,4	35 - 70
RSTI-5853 (Al or Cu)		17,0	30,1	95 - 185
RSTI-5854 (Al or Cu)		21,2	34,6	95 - 240
RSTI-5855 (Al or Cu)		21,2	34,6	185 - 300

Kits including deep indent lugs are on request



FOR MORE INFORMATION: TE Technical Support Centers

USA:	+ 1 800 327 6996
France:	+ 33 380 583 200
UK:	+ 44 0870 870 7500
Germany:	+ 49 896 089 903
Spain:	+ 34 916 630 400
Benelux:	+ 32 16 351 731
Canada:	+ 1 (905) 475-6222
Mexico:	+ 52 (0) 55-1106-0800
Latin/S. America:	+ 54 (0) 11-4733-2200
China:	+ 86 (0) 400-820-6015

te.com/energy

©2014 TE Connectivity Ltd. family of companies. All Rights Reserved. EPP-1475-10/14

Raychem, TE Connectivity and TE connectivity (logo) are trademarks. Other logos, product and/or company names might be trademarks of their respective owners. While TE has made every reasonable effort to ensure the accuracy of the information in this brochure, TE does not guarantee that it is error-free, nor does TE make any other representation, warranty or guarantee that the information is accurate, correct, reliable or current. TE reserves the right to make any adjustments to the information contained herein at any time without notice. TE expressly disclaims all implied warranties regarding the information contained herein, including, but not limited to, any implied warranties of merchantability or fitness for a particular purpose. The dimensions in this catalog are for reference purposes only and are subject to change without notice. Specifications are subject to change without notice. Consult TE for the latest dimensions and design specifications.